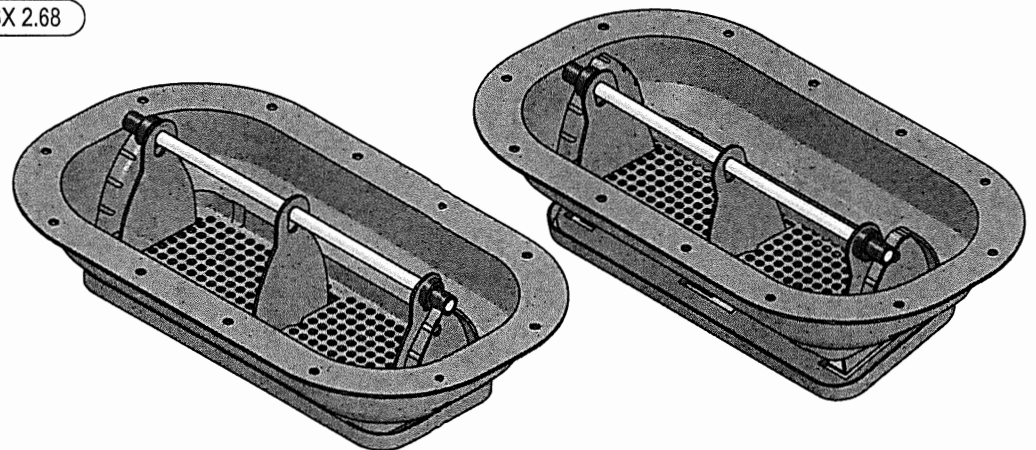
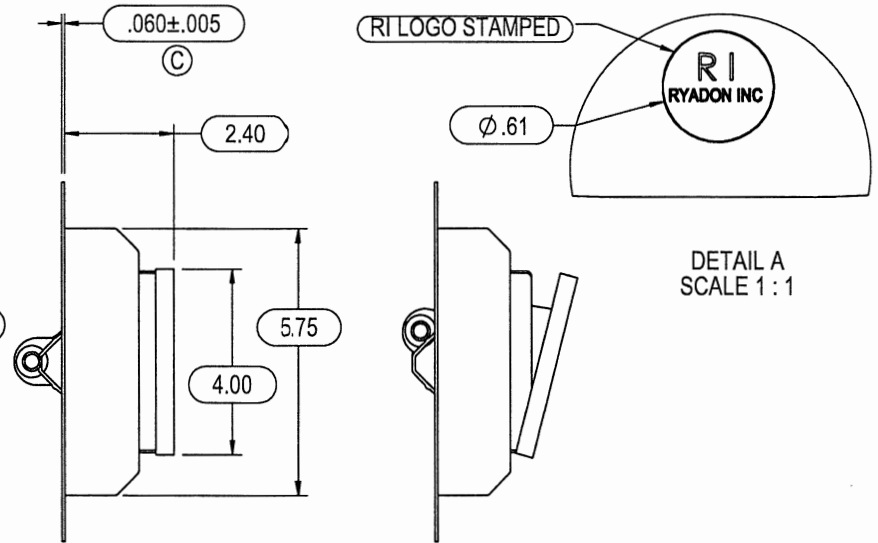
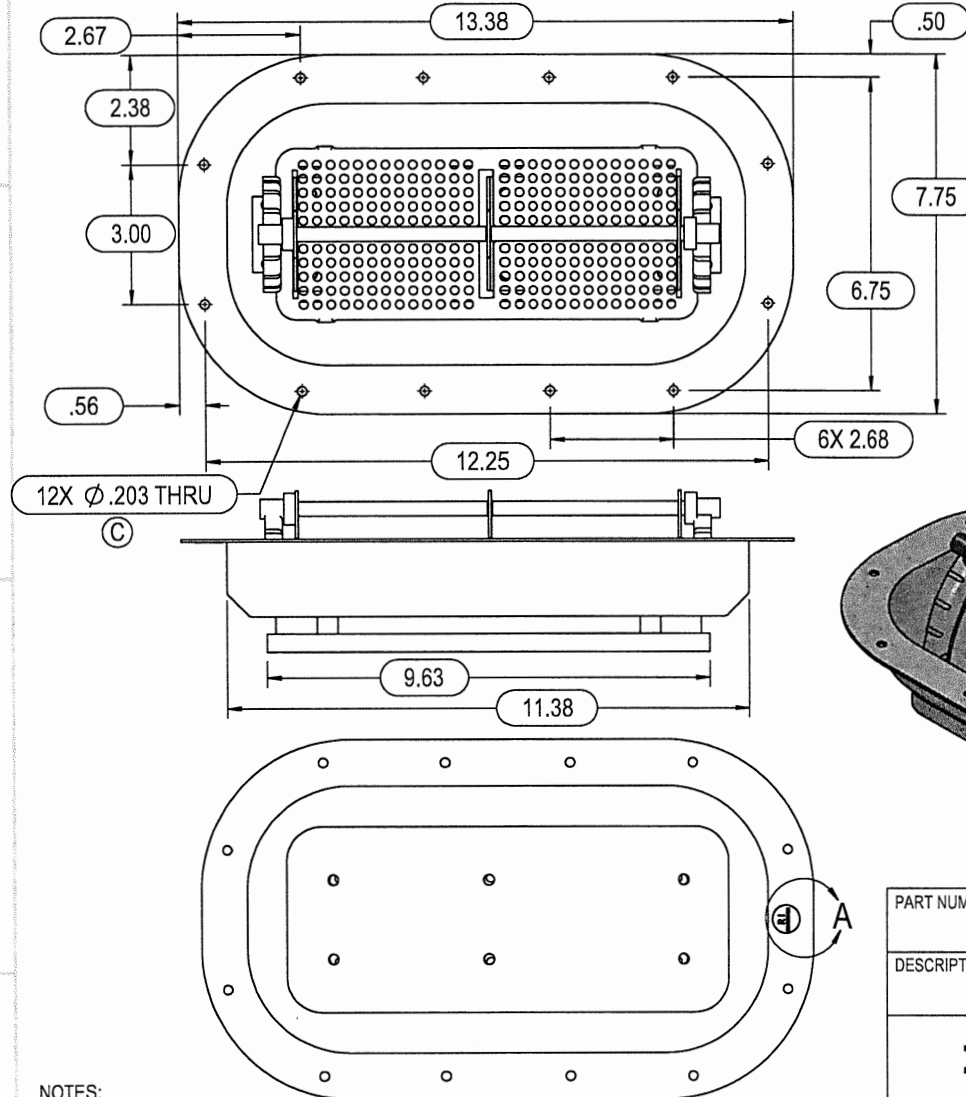


REVISIONS			
REV.	DESCRIPTION	DATE	BY
A	INITIAL RELEASE	8/2/2019	KC
B	ADDED LOGO & UPDATE DIMENSIONS	2/19/2021	KC
C	STANDARDIZED THICKNESS AND HOLES DIA./W/ ±.005 GENERAL HOLES TOLERANCE	8/10/2022	KC

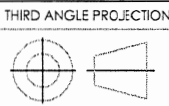


PART NUMBER:	RV-626-050	MATERIAL:	STEEL
DESCRIPTION:	ROOF VENT, 2 WAY RAISING	FINISH:	BLACK POWDER COAT



UNLESS OTHERWISE SPECIFIED:
 DIMENSIONS ARE IN INCHES [mm]
 ALL HOLES $\phi = \pm 0.005 [0.13mm]$
 .XX [X] = $\pm 0.03 [0.8mm]$
 .XXX [XX] = $\pm 0.015 [0.38mm]$
 .XXXX [XXX] = $\pm 0.0080 [0.203mm]$
 FRACTIONAL = $\pm 1/32"$
 ANGULAR: $\pm 1.0^\circ$

PROPRIETARY AND CONFIDENTIAL
 THE INFORMATION CONTAINED IN THIS DRAWING IS THE SOLE PROPERTY OF RYADON INC. ANY REPRODUCTION IN PART OR AS A WHOLE WITHOUT THE WRITTEN PERMISSION OF RYADON INC. IS PROHIBITED.



SIZE
A

NAME	ENGR	SALES	QUALITY	REV
KCHEN	BW	PN		C
DATE	2/4/2021	8/10/2022	8/10/2022	
SCALE:	1:4	DO NOT SCALE		SHEET 1 OF 1

- NOTES:
- DIMENSIONS APPLY AFTER FINISH.
 - DO NOT SCALE DRAWING.
 - BREAK ALL SHARP EDGES AND REMOVE ALL BURRS.
 - MUST HAVE NO SCRATCHES, DINGS, DENTS OR SURFACE IMPERFECTIONS OTHER THAN SURFACE FINISH REQUIREMENTS.
 - CRITICAL DIMENSIONS ARE INDICATED BY:
 - TO BE INSPECTED TO 2.5 AQL SAMPLING PLAN UNLESS OTHERWISE STATED.
 - ENSURE PACKAGING WILL PROVIDE ADEQUATE PROTECTION DURING TRANSPORT.
 - GEOMETRIC FEATURES NOT DIMENSIONED ARE CONTROLLED BY 3D MODEL.