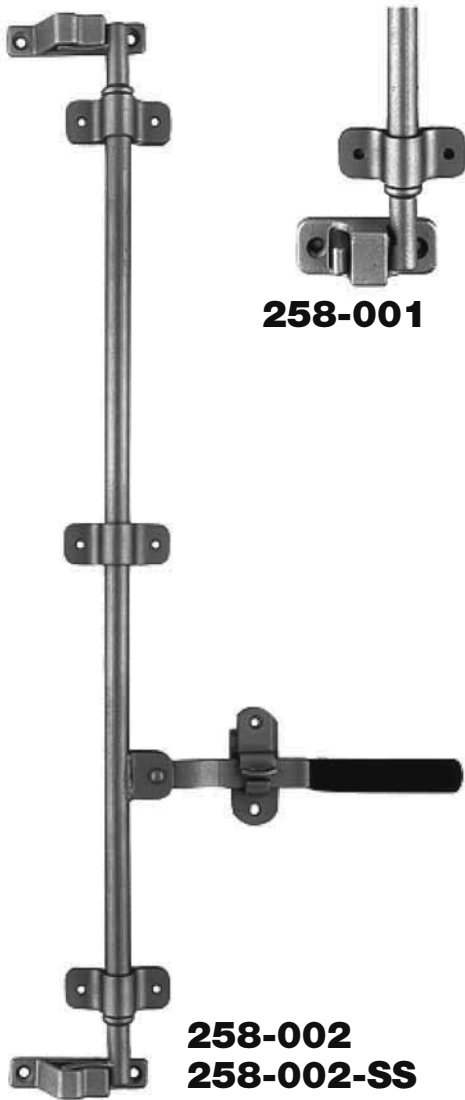


# CAM TYPE DOOR LOCKS

## HEAVY DUTY CAM ACTION DOOR LOCKS

Available in Steel and Stainless Steel



**258-001**

**258-002**  
**258-002-SS**

### No. 258-001

Same as No. 258-002 except Universal keeper is 1-15/16" wide.

### No. 258-002

For Flush to 3/4" offset doors. Uses standard 3/4" Pipe.

Handle has permanently affixed vinyl grip and is riveted, not bolted, to lug for maximum security. Features narrow 1-1/4" wide keepers for side or rear door application. Maximum extension from body 1-3/4". All mounting holes for 3/8" bolts.

Lugs and keepers are made from steel. The handle, hasp & pipe retainers are manufactured from steel.

Universal for right or left hand doors. (Right hand shown).

Note: Supplied less padlock

#### Finish:

Lugs & keepers are hot dip galvanized.

Hasp, pipe retainers & handle assembly are zinc plated.

Supplied without 3/4" pipe.

Weight (without pipe) — 10 lbs.

### No. 258-002-SS

Same as 258-002 except supplied as stainless steel.

### No. 258-003

Same as 258-001 except with adjustable handle to adjust lock tighter as seal wears.

### No. 259 Sliding Door Lock

Can purchase the complete lock or lugs only

Finish — Zinc Plated



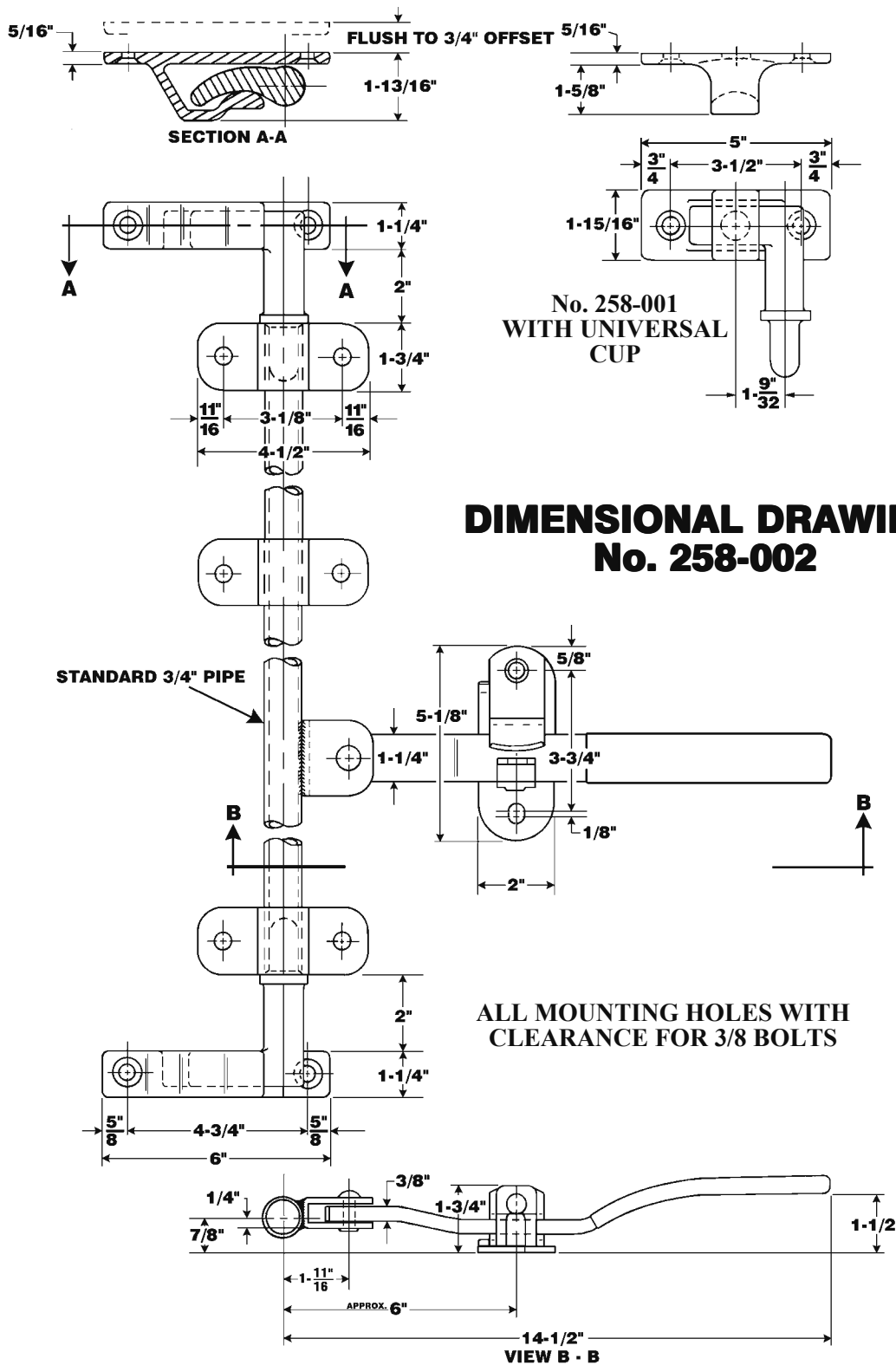
APPROX. 1" THROW

### No. 258-004

Same as 258-002 except with adjustable handle.

Note: Can be supplied as a weldment.

# CAM TYPE DOOR LOCKS



# CAM TYPE DOOR LOCKS

## 258 COMPONENT PARTS

Steel, Stainless Steel and polished Stainless Steel

### No. 258-100 / 258-100-SS Handle & Lug Assembly

All Steel handle with vinyl grip.  
Finish — Steel - Zinc Plated  
              Stainless - Plain or Polished  
Weight—2.5 lbs.



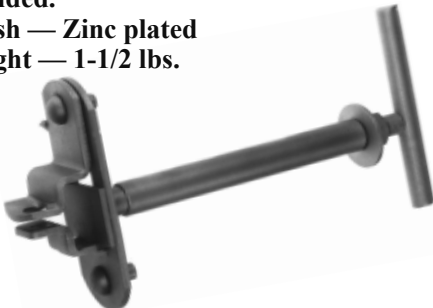
### No. 258-102 Adjustable Handle

All steel handle with vinyl grip. No cutting of pipe or welding necessary. Tubing slides over pipe and adjustment is made by loosening and tightening Nylok set screws. Adjustment allows for tight seal as door gasket wears.  
Finish — Zinc plated  
Weight — 3 lbs.



### Polar No. 258-103 Safety Hasp & Inside Handle

For use with Polar No. 258 and 257 pipe locks. All steel construction. Zinc plated. Permits exit from inside even when padlocked. "T" handle is rotated counter clockwise until hasp is disengaged permitting door to swing open. Note: Padlock not included.  
Finish — Zinc plated  
Weight — 1-1/2 lbs.



### No. 258-101 / 258-101-SS Hasp & Handle Keeper

5-1/8" long x 2" wide x 1-3/4" high.  
*Note: Padlock not supplied*  
Finish — Steel - Zinc Plated  
              Stainless - Plain or Polished  
Weight — .6 lbs.



### No. 258-225 Spacer

Steel Spacer for 258-101 Hasp.  
Finish — Zinc plated  
Weight — .4 lbs.



### Polar No. 258 Lock Pipe Retainers

All Steel or stainless steel  
Finish — Steel - Zinc Plated  
              Stainless - Plain or Polished

### 258-206 / 258-206-SS Top 258-205 / 258-205-SS Bottom

