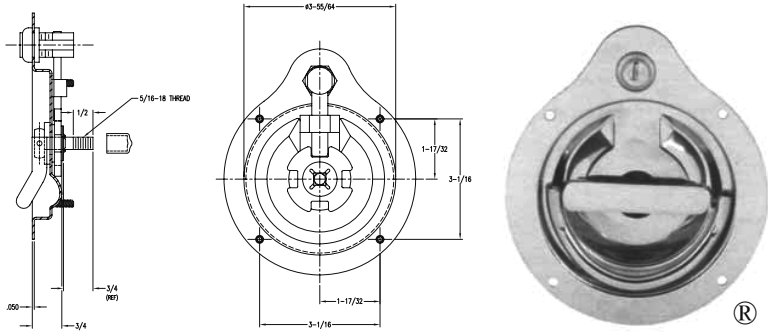


# D-RING HANDLES

## 2102-S D-RING HANDLE LOCKING® SMALL SIZE TWO POINT

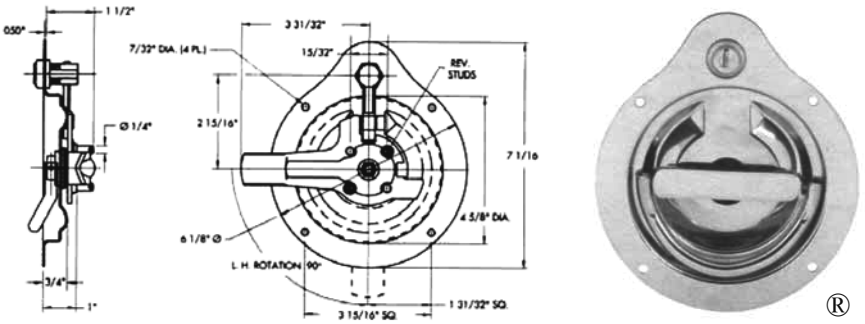


Flush-mounted locking handle that secures at two points.

Materials: Cold-Rolled Steel - Zinc Plated, Stainless Steel - Polished  
 Installation Methods: Mounting Holes (Standard on Stainless Steel)  
 Use With: #105 Rods & Rod Guides or #90 Series End-Bolts  
 For Use On: Medium to Large Compartment Doors

<b>N2102SXSPBXX</b>	Stainless Steel with Standard Lock
---------------------	------------------------------------

## 2103-L D-RING HANDLE LOCKING® LARGE SIZE THREE POINT



Flush-mounted locking handle that secures at three points. Specify left or right hand (right hand shown).

Materials: Cold-Rolled Steel - Zinc Plated, Stainless Steel - Polished or Satin Finish  
 Installation Methods: Mounting Holes (Standard on Stainless Steel)  
 Use With: #105 Rods & Rod Guides or #90 Series End-Bolts  
 For Use On: Medium to Large Compartment Doors

<b>N2103LLSPBXX</b>	Stainless Steel with Standard Lock, Left Hand
<b>N2103LRSPBXX</b>	Stainless Steel with Standard Lock, Right Hand