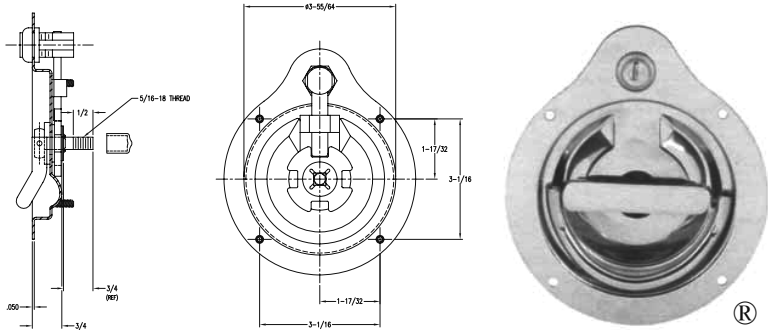


D-RING HANDLES

2102-S D-RING HANDLE LOCKING® SMALL SIZE TWO POINT

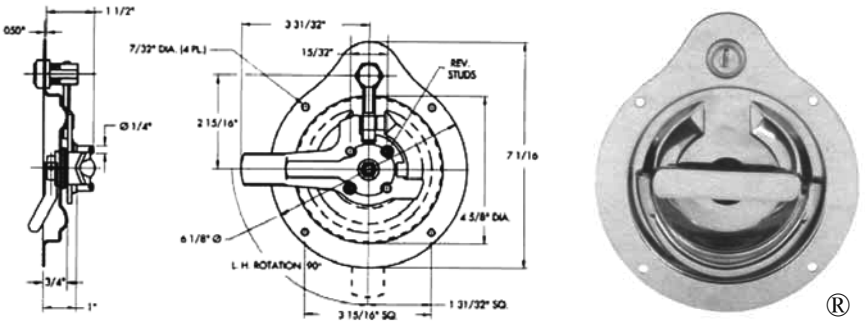


Flush-mounted locking handle that secures at two points.

- Materials: Cold-Rolled Steel - Zinc Plated, Stainless Steel - Polished
- Installation Methods: Mounting Holes (Standard on Stainless Steel)
- Use With: #105 Rods & Rod Guides or #90 Series End-Bolts
- For Use On: Medium to Large Compartment Doors

N2102SXSPBXX	Stainless Steel with Standard Lock
---------------------	------------------------------------

2103-L D-RING HANDLE LOCKING® LARGE SIZE THREE POINT



Flush-mounted locking handle that secures at three points. Specify left or right hand (right hand shown).

- Materials: Cold-Rolled Steel - Zinc Plated, Stainless Steel - Polished or Satin Finish
- Installation Methods: Mounting Holes (Standard on Stainless Steel)
- Use With: #105 Rods & Rod Guides or #90 Series End-Bolts
- For Use On: Medium to Large Compartment Doors

N2103LLSPBXX	Stainless Steel with Standard Lock, Left Hand
N2103LRSPBXX	Stainless Steel with Standard Lock, Right Hand