

# GAS SPRINGS

## Powerise™ Pneu-Spring® Design Data Sheet

Fax Design Data Sheet to Industrial Hardware Distributors, Inc. at 330-762-9422

**Requested by:**

Name \_\_\_\_\_  
 Company \_\_\_\_\_  
 Address \_\_\_\_\_  
 City \_\_\_\_\_  
 Phone \_\_\_\_\_ Fax \_\_\_\_\_

**Date:** \_\_\_\_\_  
 Title \_\_\_\_\_  
 State \_\_\_\_\_ Zip \_\_\_\_\_  
 Email \_\_\_\_\_

**Requested Information:**

Nature of vehicle/apparatus on which the Pneu-Spring will be installed: \_\_\_\_\_  
 Estimated annual quantities required: \_\_\_\_\_

We will determine the appropriate Pneu-Spring and attachment points for your application. **We REQUIRE an engineering drawing showing both the moveable and fixed components to which the spring will attach.** The drawing must have sufficient detail to enable us to specify suitable attachment locations. Include the following specific information:

- 1) Length of component from hinge edge (i.e. pivot point) to handle (Fig 1A, 1B, 1C): Handle length: \_\_\_\_\_
- 2) How is the panel mounted (Fig 1A, 1B, 1C)?                      Vertical                      Horizontal                      Offset
- 3) Center of gravity location from center of hinge pivot (Fig 1A, 1B, 1C):                      X= \_\_\_\_\_                      Y= \_\_\_\_\_
- 4) Location of hinge pivot from mounting surface (Fig 1A, 1B, 1C):                      X= \_\_\_\_\_                      Y= \_\_\_\_\_

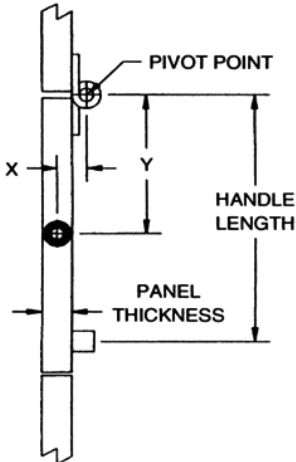


FIGURE 1A

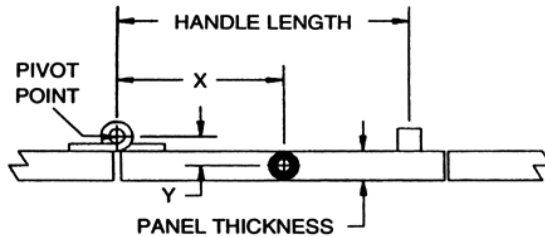


FIGURE 1B

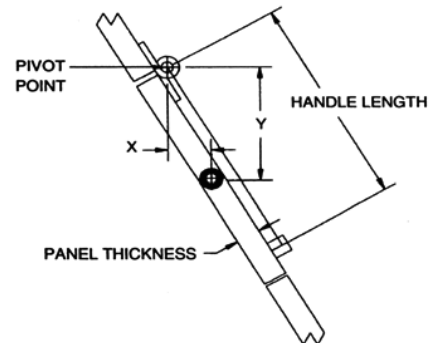
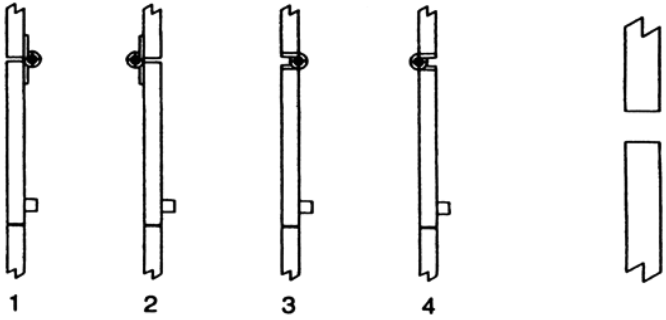


FIGURE 1C

- 5) What is the weight of the panel? \_\_\_\_\_
- 6) What is the thickness of the panel? \_\_\_\_\_
- 7) What is the composition of the panel? \_\_\_\_\_
- 8) Are there limitations of attachment points (e.g. obstructions, structural member to which a spring must be attached, inside or outside installation, maximum permissible penetration into enclosures, etc.)? \_\_\_\_\_

# GAS SPRINGS

9) How is the panel hinged (Fig 2)?



Sketch to the left or supply drawing if not shown in 1 - 4

FIGURE 2

10) Total angle of opening (Fig 3): \_\_\_\_\_

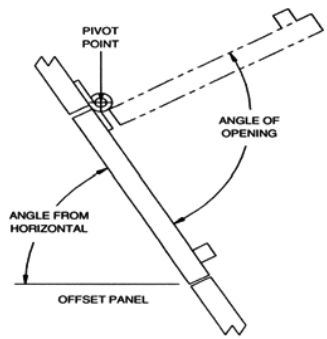


FIGURE 3

11) Angle offset from horizontal plane (Fig 3): \_\_\_\_\_

12) Desired action using Pneu-Spring (Fig 4): check one

- to operate under its own force once it is released
- to operate as an assist to relieve the effort required to move the panel weight
- after an assist to start the motion, it will complete the motion by itself
- to go over center installation provides two actions: (1) in the closed position, it keeps the door closed and (2) it provides an assist in opening the door

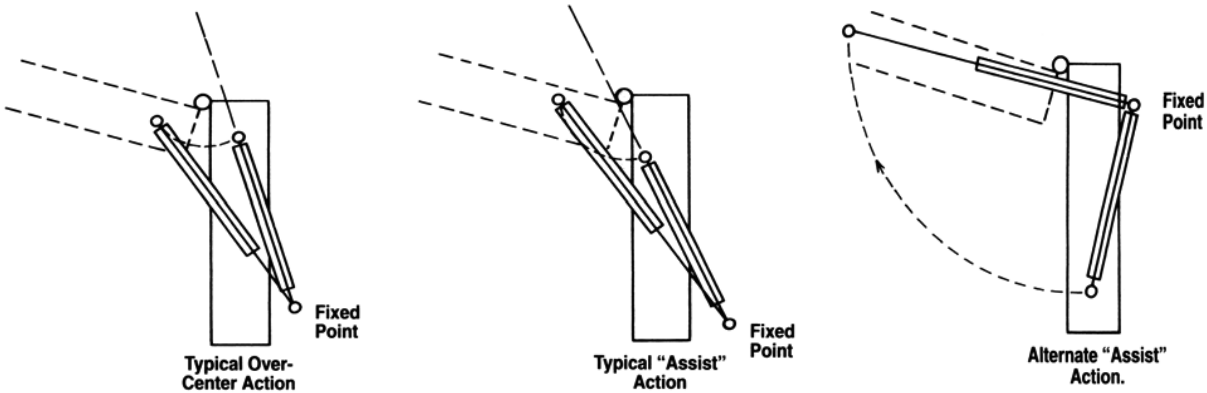


FIGURE 4 (includes all three diagrams)

Industrial Hardware will **not** be responsible for any claims or damage resulting from installations which have not been approved by the engineering department of Eberhard Mfg. Co.