

# QUARTER TURN LATCHES

## No. 1-501-AR, BR, or CR Screwdriver Slot

### No. 1-501-A, B or CR Latch Continuously Self-Adjusting.

This unique, low-profile latch offers many advantages for use on industrial cabinets, electronic enclosures and a host of other products.

Easy access can be achieved through the use of a screwdriver slot on **No. 1-501-R**.

The right-hand version is standard. Left-hand version available as request quote.

Ideal for primary access panels, especially those with gasketing, this latch provides minimum exterior surface protrusion.

The self-adjusting feature incorporates an exclusive, patented design which eliminates the wearing of the shaft threads normally associated with spring tension units currently on the market.

Designers will particularly welcome the versatility of this latch in that it also offers three styles of latching cams (one straight and two offset) as well as limited internal enclosure protrusion.

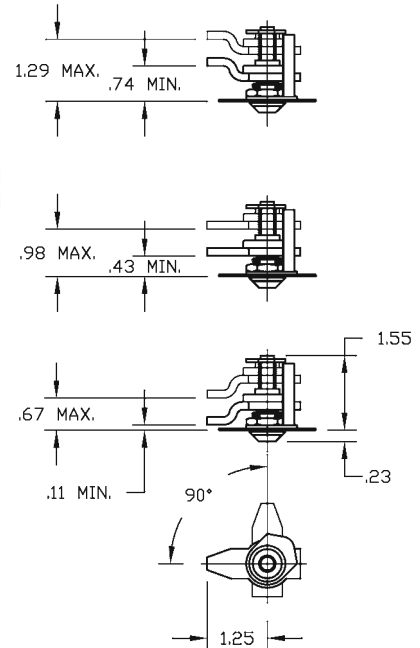
Installation is extremely easy; just punch or cut a single hole and blind mount the latch from the inside.

Weight: .19 lbs.  
Finish: Nickel-plated

**No. 1-501-SSAR, BR, or CR**  
same as above except stainless steel

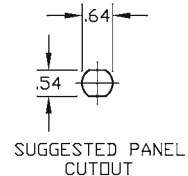


## No. 1-501-AR, BR, or CR



Note: Grip range for 501,502, 503, & 504 Series

	No.	Min. Grip	Max. Grip
Grip Range	1-501-AR	7/64"	45/64"
	1-501-BR	27/64"	1-7/64"
	1-501-CR	47/64"	1-21/64"

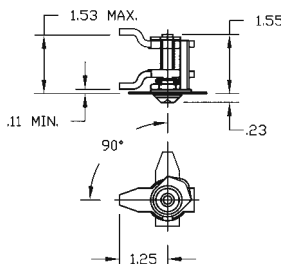


## No. 1-502-R Screwdriver Slot

This latch is an adaptation of the No. 1-501 R. Instead of being continuously self-adjusting, this latch and its options can have the height of the latch cam adjusted to a specific application and it is then fixed for that service.

The right-hand version is standard. Left-hand version available as request quote.

Weight: .25 lbs.  
Finish: Nickel-plated

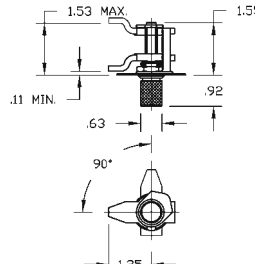


## No. 504-R Small Knurled Knob

This latch is an adaptation of the No. 1-501 R. Instead of being continuously self-adjusting, this latch and its options can have the height of the latch cam adjusted to a specific application and it is then fixed for that service.

The right-hand version is standard. Left-hand version available as request quote.

Weight: .33 lbs.  
Finish: Nickel-plated



## No. 501-AR, BR or CR Continuously Self-Adjusting

- Same as 1-501 and 1-502 except for different head configuration.
- Since no standard tool will operate it, a specially designed actuating tool is available, **No. 501-1**.

