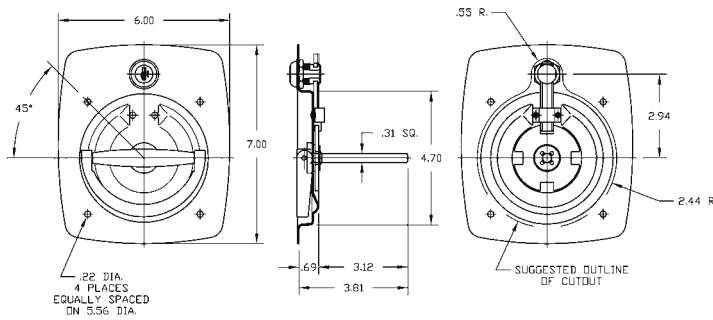


D-RING HANDLES

No. 9000-SS
(large flange)



No. 9000-SS
Key-Locking.
No. 9001-SS
Non-Key-Locking.

Eberhard large heavy-duty drop D-rings are excellent selections for the fire truck/rescue vehicle applications where easy access and a bright modern appearance are required.



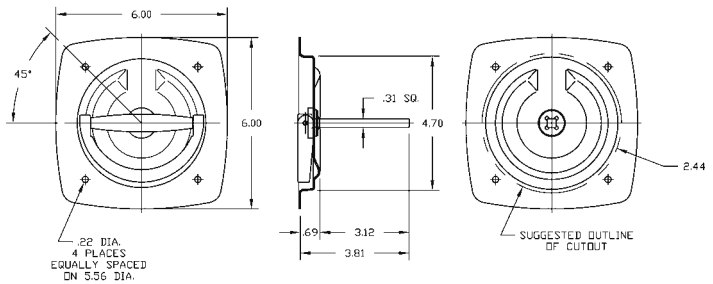
No. 9000-SS

Large, bright-polished, stainless steel, drop D-handle, key-locking with 5/16" square shank 3-13/16" long from mounting surface. Handle is zinc die cast black powder coated. Four 7/32" dia. mounting holes are standard.

Finish: Bright polished stainless steel
Weight: 1.33 lbs.

Available zinc-plated or stainless steel

No. 9001-SS
(small flange)



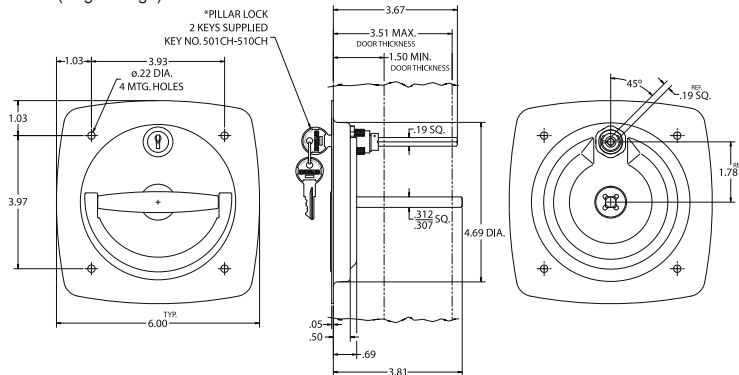
No. 9001-SS
Same as 9000-SS except
Non-Key-Locking with
smaller flange.

Finish: Bright polished
stainless steel
Weight: .88 lbs.

No. 9001 Available
zinc-plated or stainless steel



No. 9000-SSPL
(large flange)



No. 9000-SSPL
Pillar Lock version.
Can be used with Slam Lock
206 Series.

Flange Gaskets Available:

No. 9000-10X gasket for large flange.
No. 9001-10X gasket for small flange.

Material: Black Buna-n 70 Durometer.
Rubber 3/64" thick.

Note: Photos of products that are shown do not necessarily show resting place of handle.