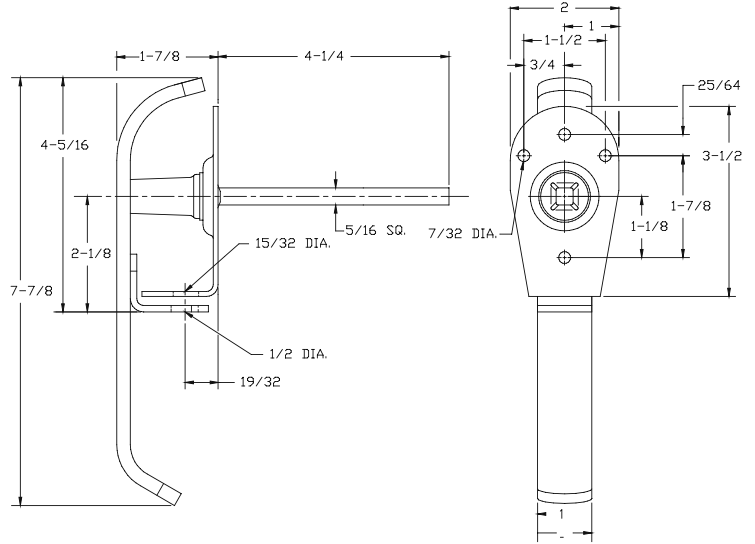


# HANDLES – L & T STYLES

## 73-NS SERIES PADLOCKING HANDLE

- ✓ Available with various handle styles (see below)
- ✓ Available in steel construction/zinc finish
- ✓ Available in stainless steel
- ✓ Available with various escutcheons
- ✓ Available with thru or blind mount
- ✓ Available with various shank lengths
- ✓ Available with 5/16" or 1/2" square shank
- ✓ Available with gasket



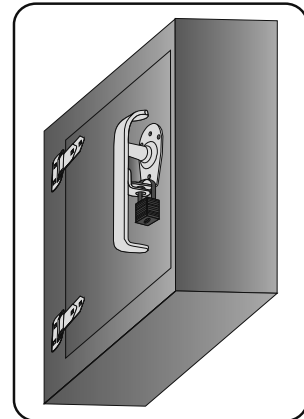
### Optional Escutcheons



323454



323862



### Available escutcheon & handle configurations



73NSXXXXNXX



73NS3XXXZN03



73NS2XSSP02



73NS1XXXZN02